



Top top and bottom top with chatter decoration

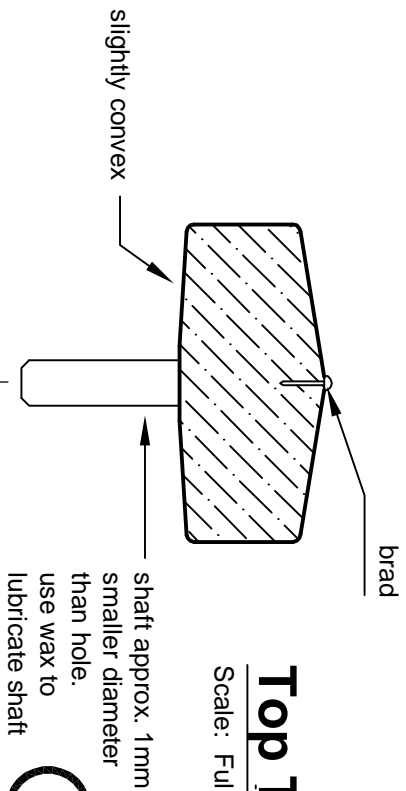
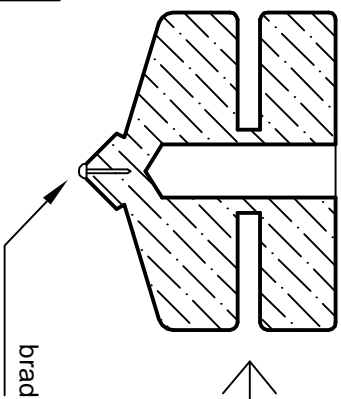


The photos show a spinning top turned by Malcom Munro

* Dimensions are not critical.
 ** Roughen the shaft at the bottom of the pull-string slot with a hacksaw blade or similar to assist the string to grip.

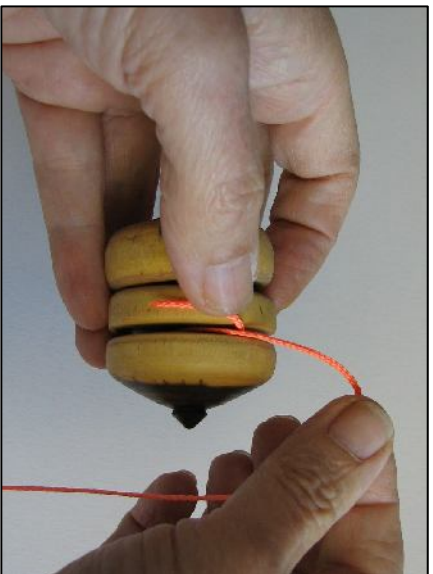
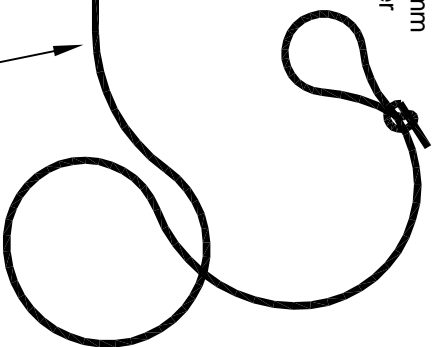
Bottom Top

Scale: Full size*



Top Top

Scale: Full size*



Wind on pull-string by holding one end with a thumb and applying at least two turns before releasing the end. To spin bottom top hold top and smartly pull the string. Lift away the top at the end of the pull. Now use the top top as a thumb top!

DOUBLE SPINNING TOP

By courtesy of Malcolm Munro (1187)