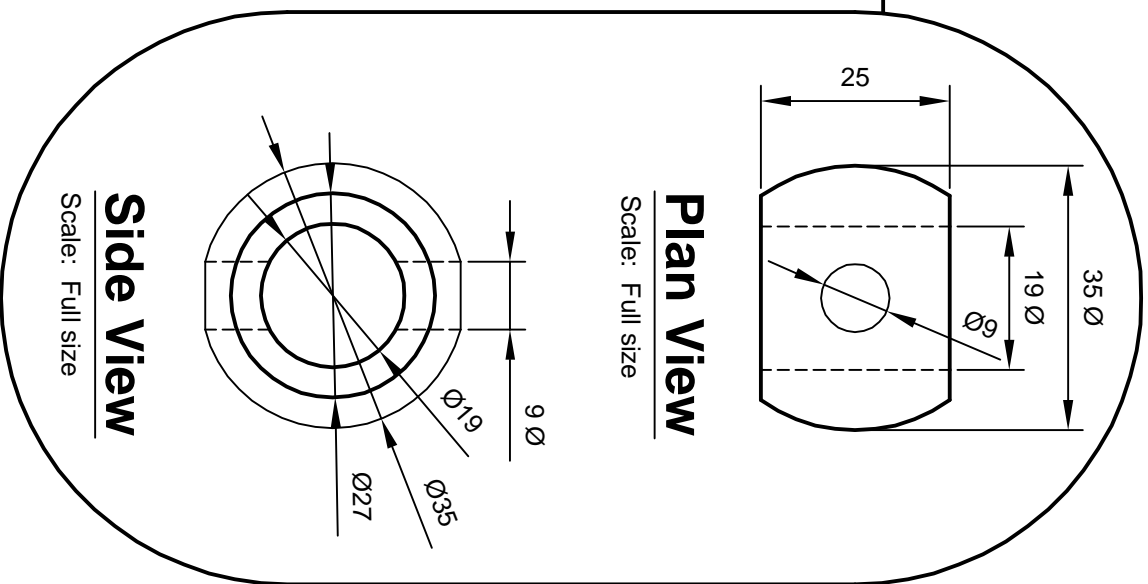
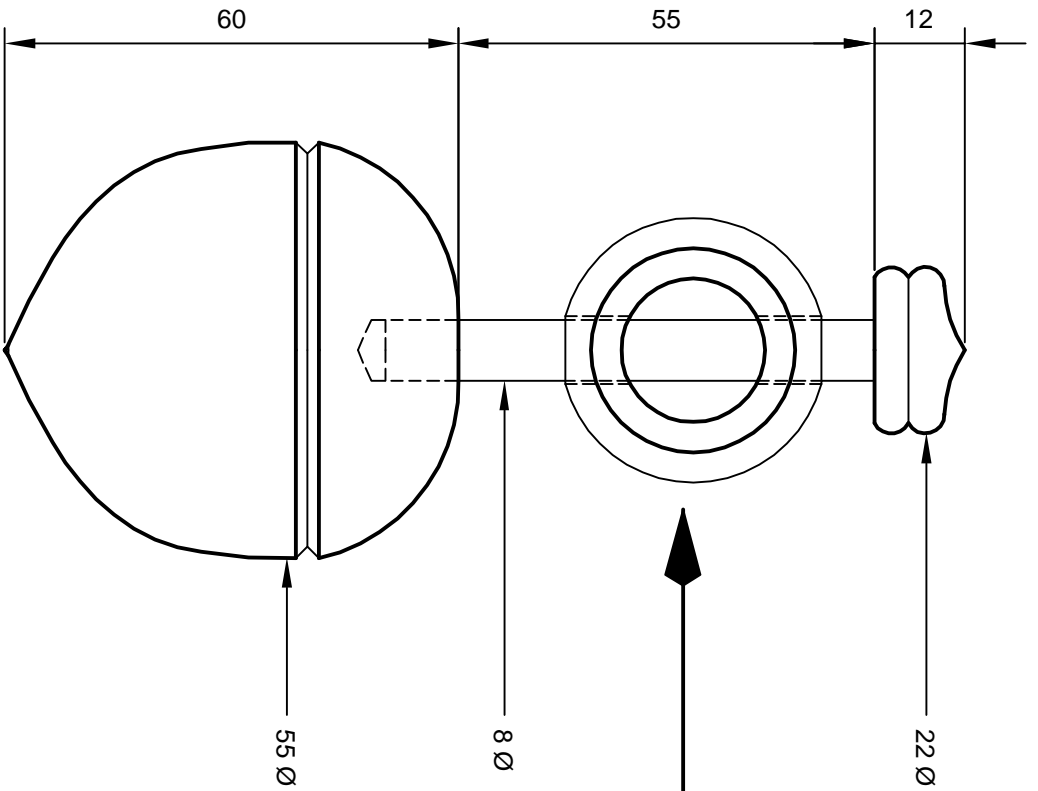


Spinning top turned by
Graham Bell



Plan View

Scale: Full size

Side View

Scale: Full size

SPINNING TOP

As demonstrated by Graham Bell (2055)