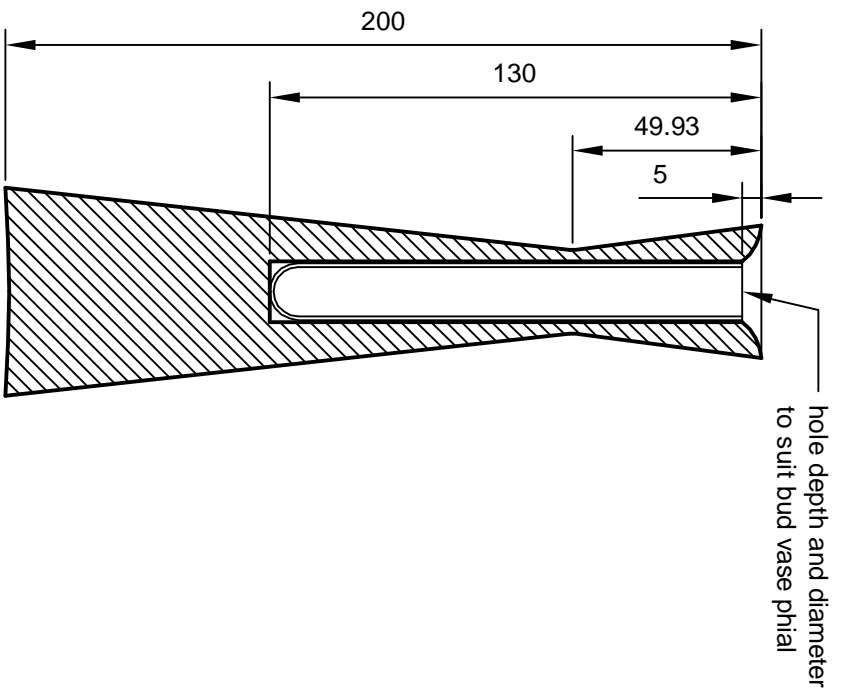




The bud vase turned by
Joe Clark



Section

Scale: $\frac{1}{2}$ Full size

As demonstrated by Joe Clark (1692)

BUB VASE