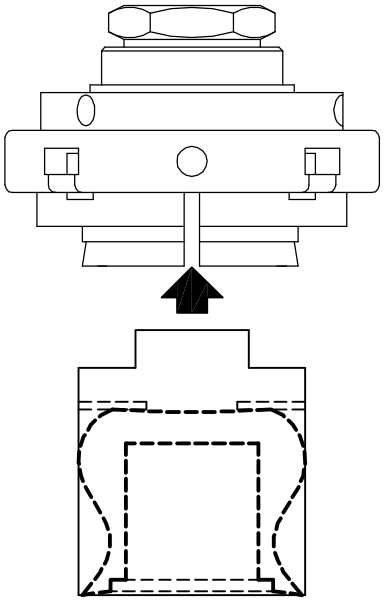
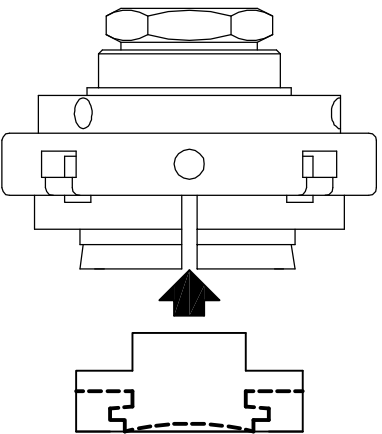


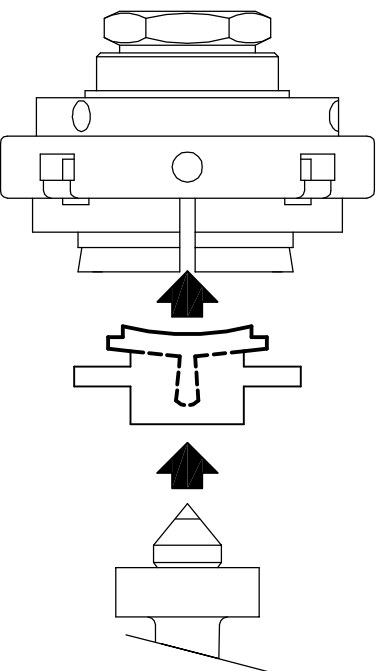
- 1.**
- Turn a 100 long x 60Ø blank with a chuck spigot to suit your chuck at each end.
 - Part off.



- 2.**
- Mount body blank in chuck.
 - Bore a 35Ø x 40 deep hole.
 - Form a 4 x 4 rebate for lid.
 - Shape outside.
 - Sand and polish.
 - Part off.
 - Reverse chuck body onto pin or needle jaws or jam chuck, and finish bottom.



- 3.**
- Mount lid blank in chuck.
 - Form spigot to suit container interior.
 - Form flange to suit body lid rebate.
 - Begin shaping top of lid.
 - Sand and polish.



- 4.**
- Reverse top in chuck and bring up tail centre for support.
 - Shape top of lid and turn handle.
 - Part off waste.
 - Sand and polish.

SMALL LIDDED CONTAINER

Scale: 1/2 full size

By courtesy of Eric Walker (897)