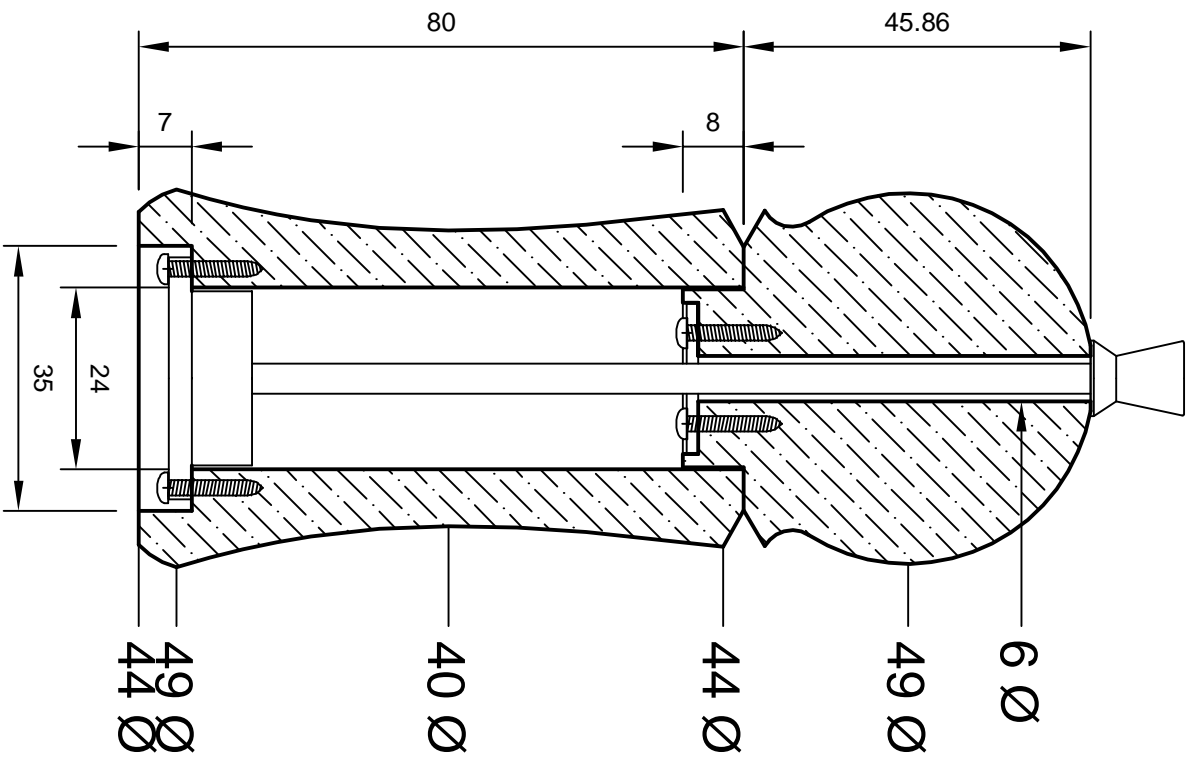


SCALE: FULL SIZE
 Note: The sizes given suit standard 'Cornuta'
 125mm salt and pepper mill mechanisms.
 Check dimensions before turning.



A SALT OR PEPPER MILL - 125mm

Design by courtesy of Chris Allen (1840)