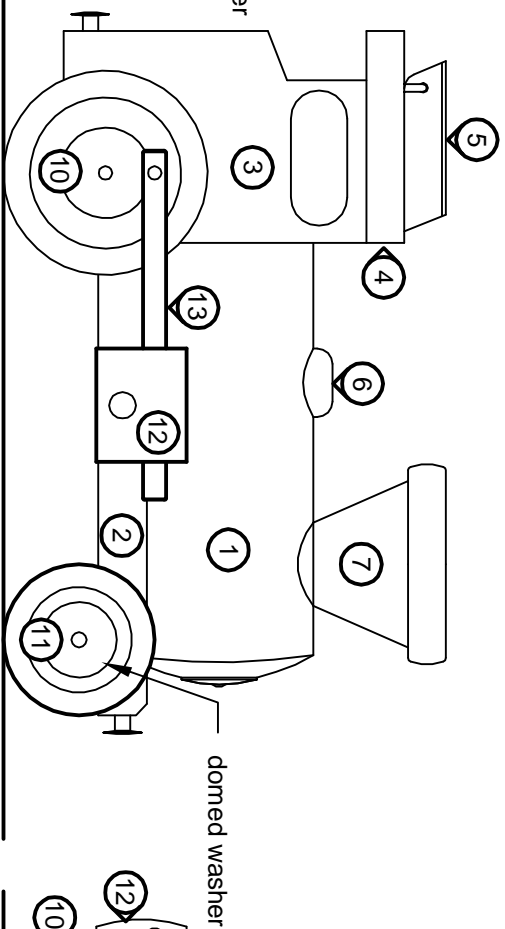
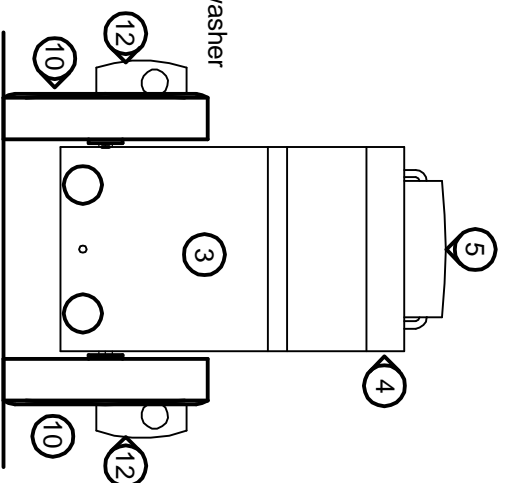


Front View Scale: 1/2 full size



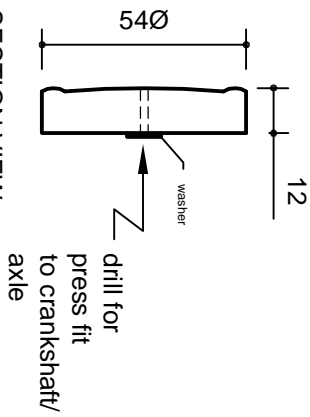
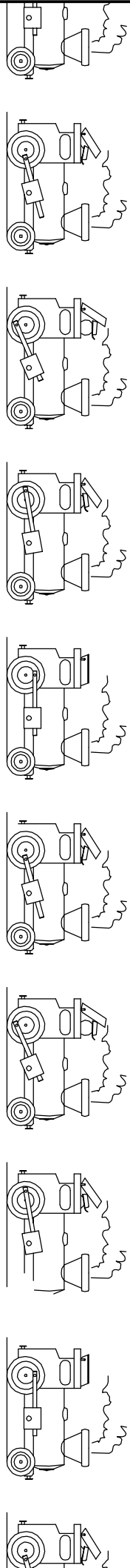
Side View



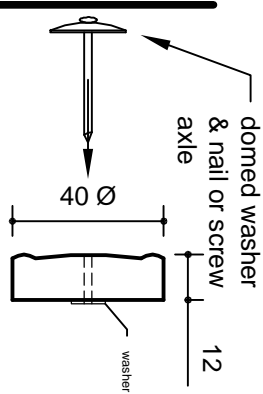
Rear View

TOY LOCOMOTIVE

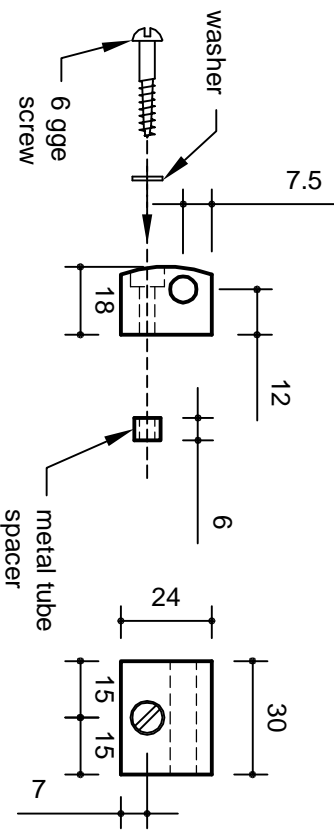
By courtesy of John Lathwell (36)



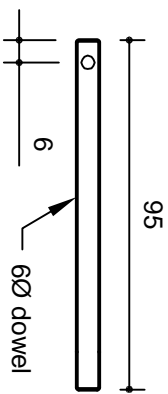
Part No. 10 (2 off)
Drive wheels



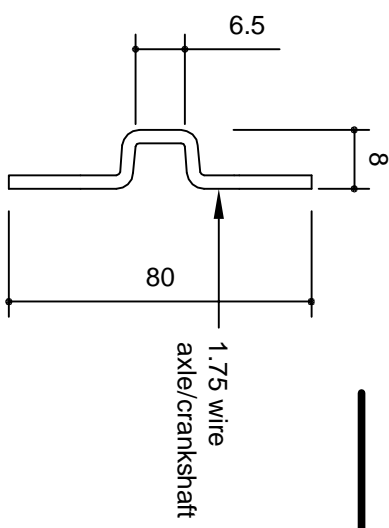
Part No. 11 (2 off)
Front wheels



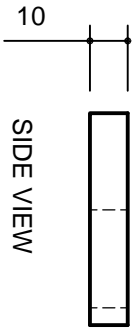
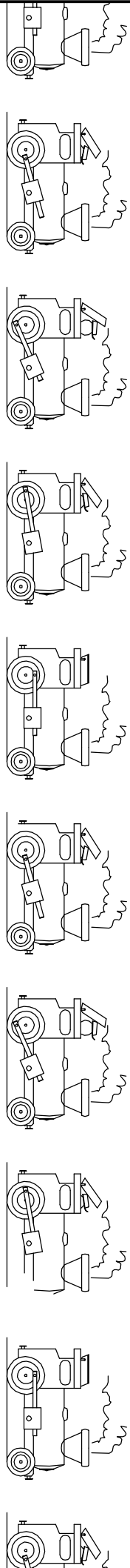
Part No. 12 (2 off)
Piston chamber



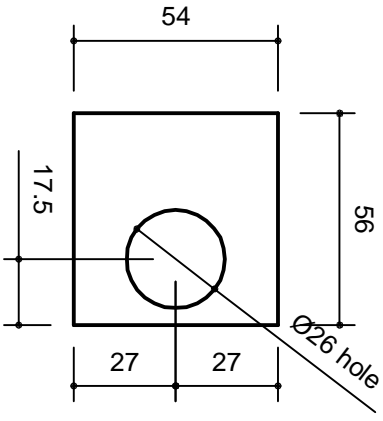
Part No. 13 (2 off)
Piston rod



Part No. 14 (1 off)
Rear axle

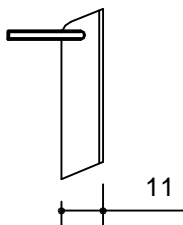


SIDE VIEW

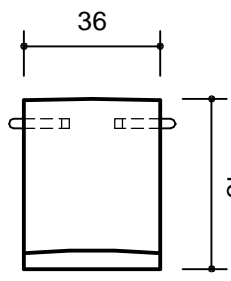


TOP VIEW

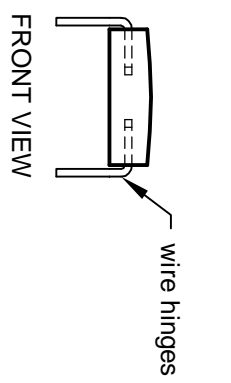
Part No.4 (1 off)
Cab roof



SIDE VIEW

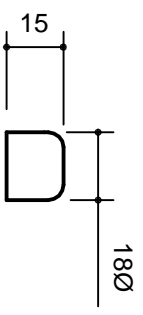


TOP VIEW



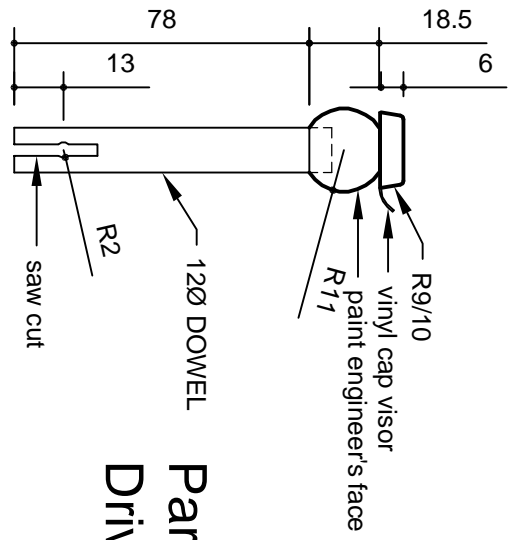
FRONT VIEW

Part No.5 (1 off)
Cab roof lid



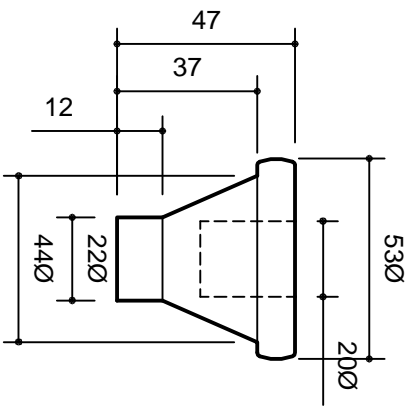
SIDE VIEW

Part No.6 (1 off)
Dome



SIDE VIEW

Part No.9 (1 off)
Driver

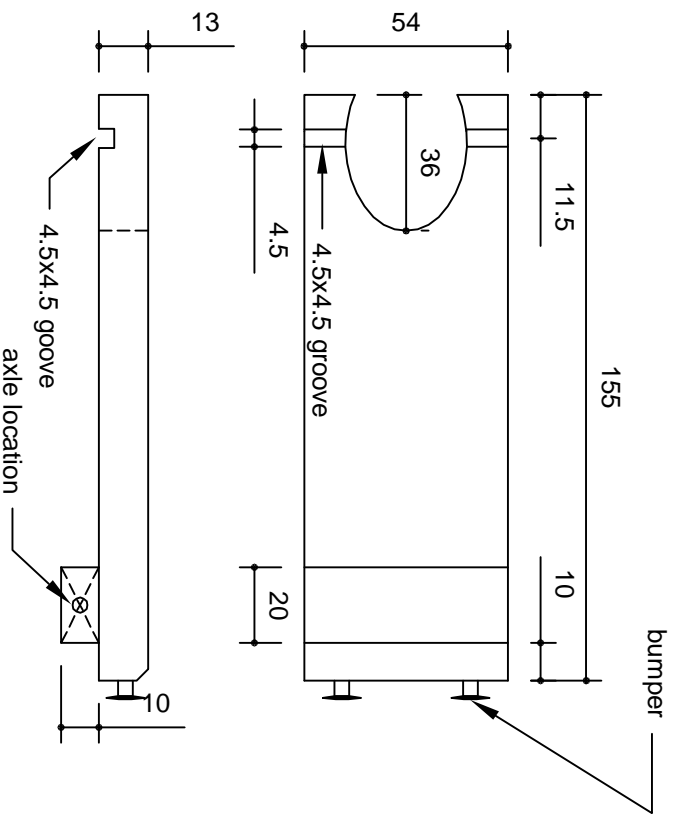
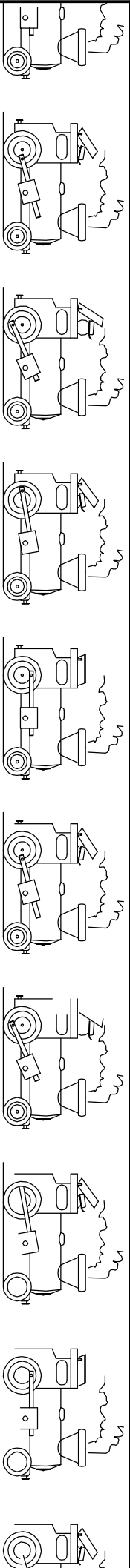


SIDE VIEW

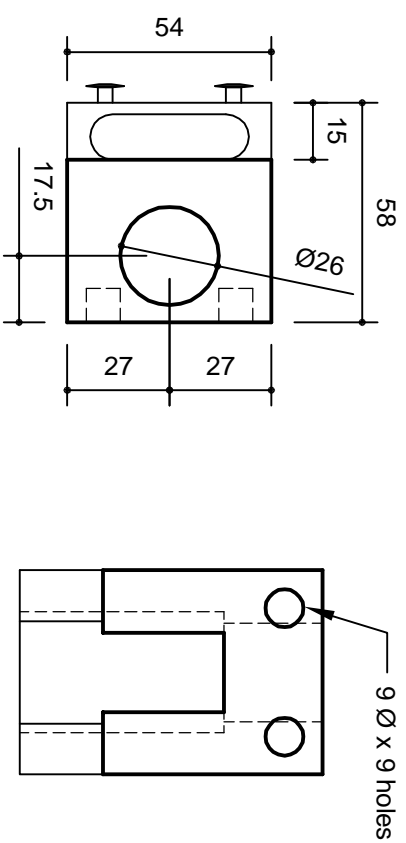
Part No.7 (1 off)
Smoke stack

TOY LOCOMOTIVE

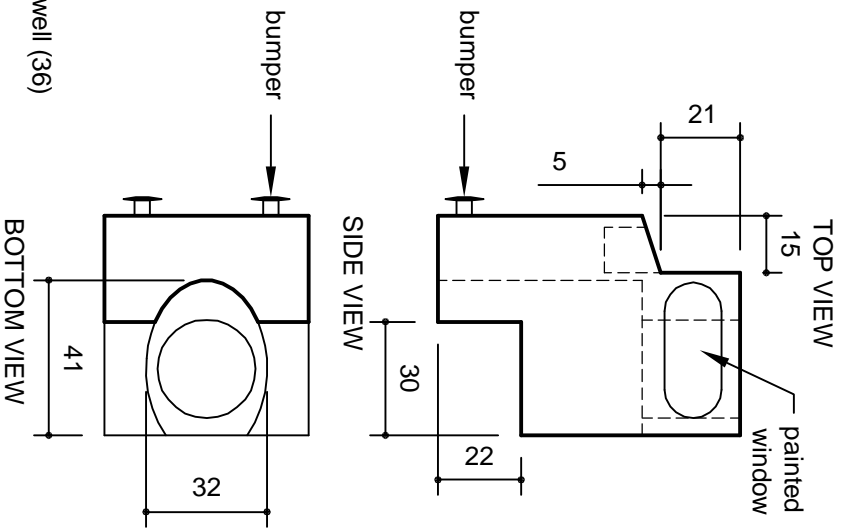
By courtesy of John Lathwell (36)



Part No.2 & 8 (1 off)
Chassis and Axle housing

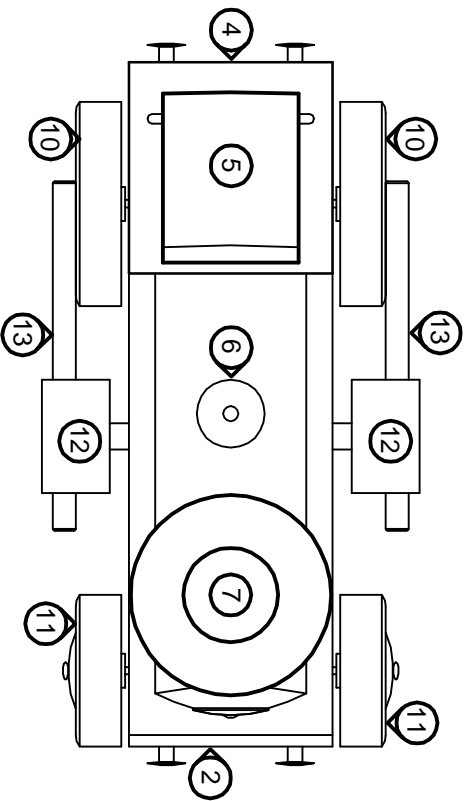
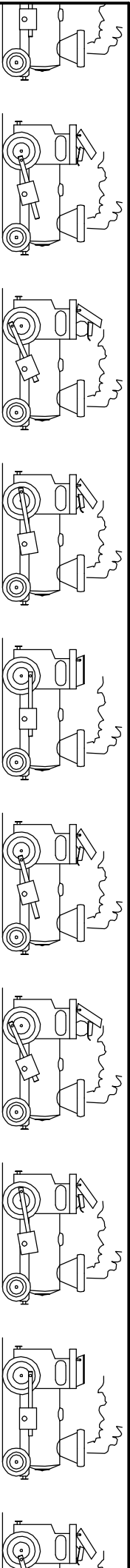


Part No.3 (1 off)
Cab

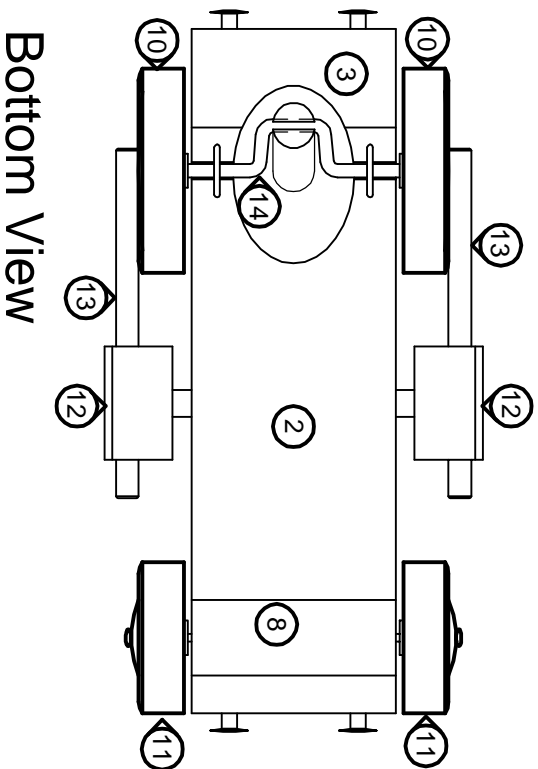


TOY LOCOMOTIVE

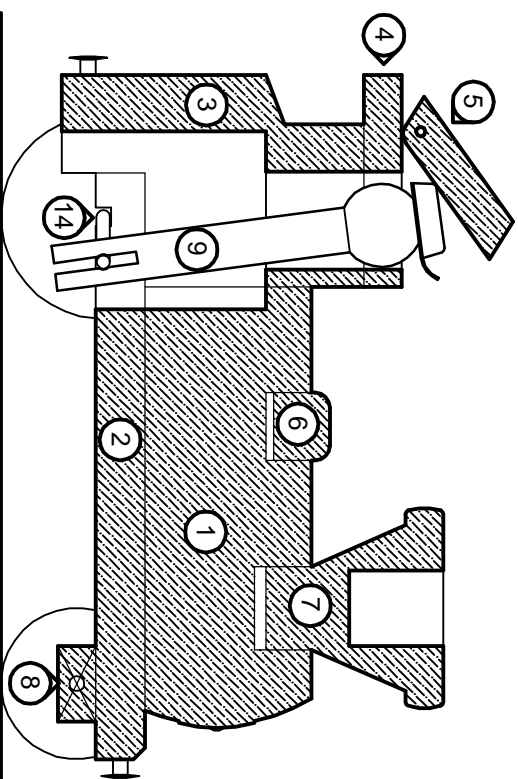
By courtesy of John Lathwell (36)



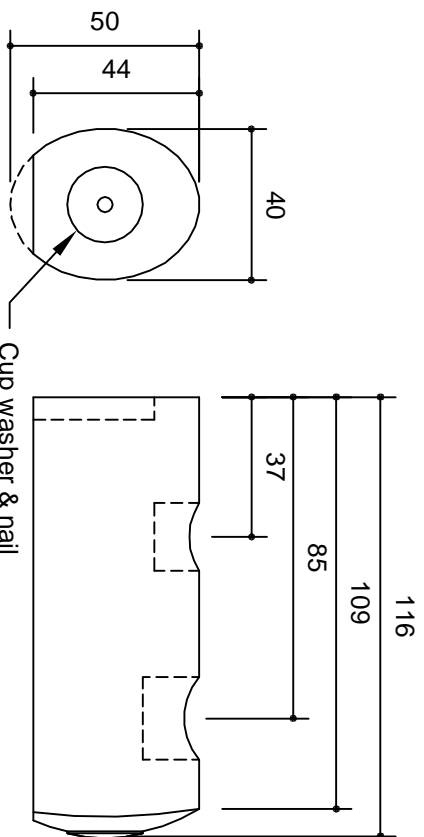
Top View Scale: 1/2 full size



Bottom View



Section Scale: 1/2 full size



Part No.1 - Boiler (1 off)

By courtesy of John Lathwell (36)

TOY LOCOMOTIVE