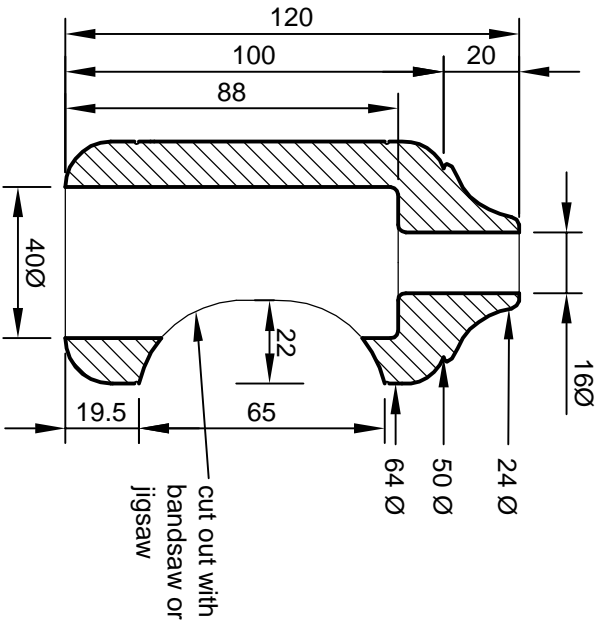


Front View

Scale: 1/2 full size

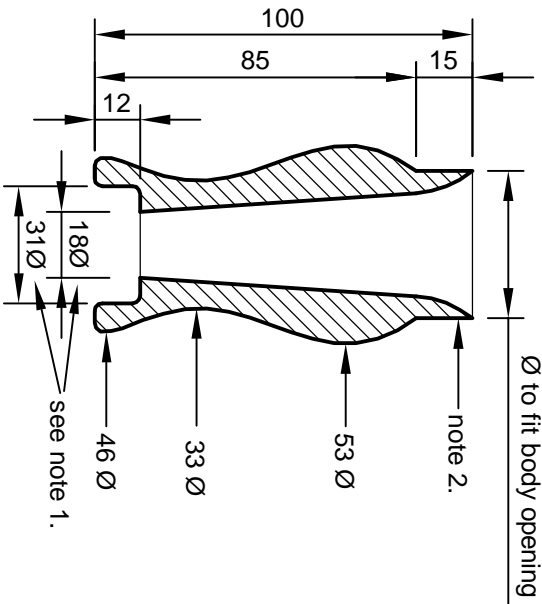
WINE BOTTLE CORKER

By courtesy of Ted Stewart-Wynne (961)



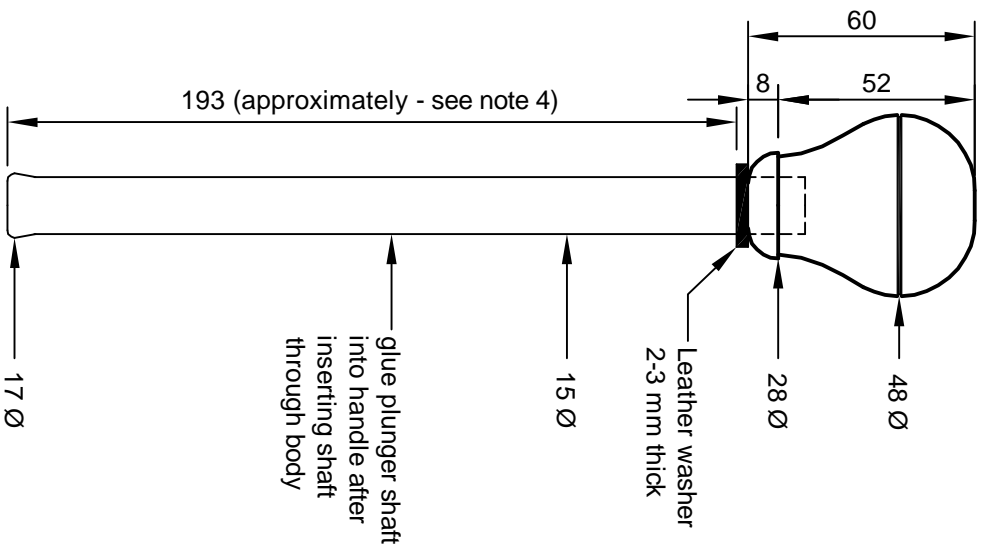
Body

Scale: 1/2 full size



Bottom

Scale: 1/2 full size



Plunger

Scale: 1/2 full size

Notes:

1. Check with a few wine bottles
2. Glue Bottom into Body
3. All dimensions are in millimetres
4. Adjust length of plunger so that when in the down position the end of the shaft is at or just below the top of the wine bottle neck.