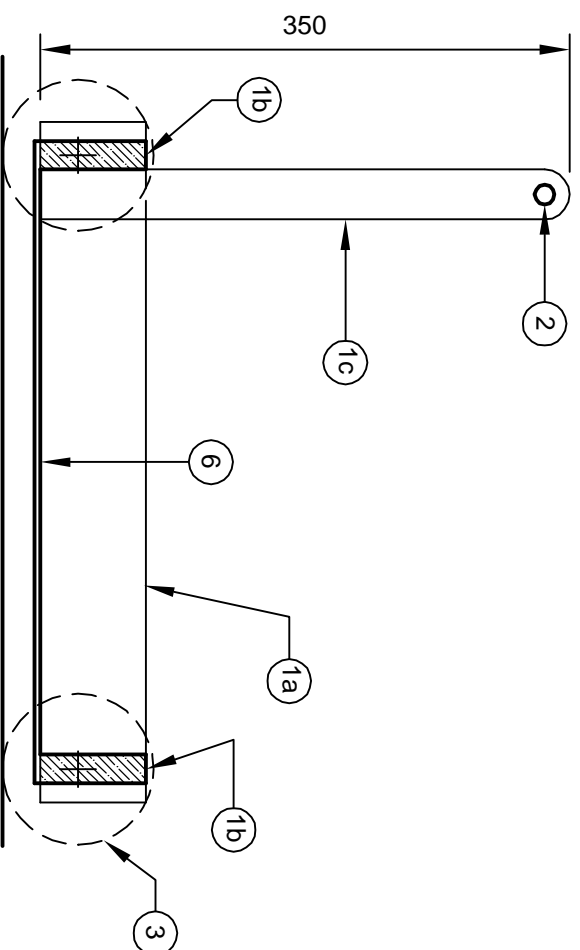


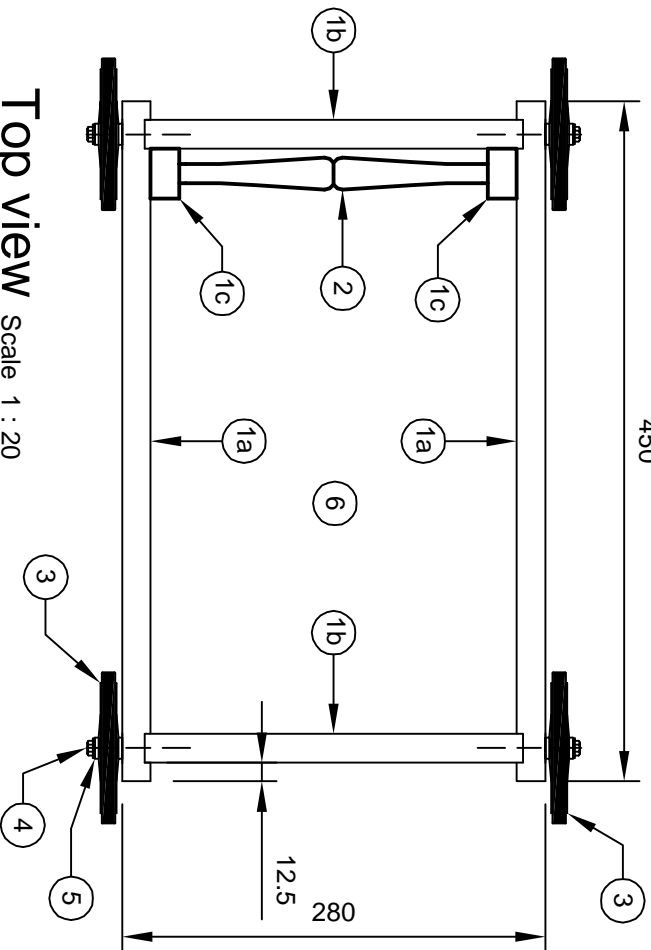
Side view

Scale 1 : 20



Section

Scale 1 : 20



Top view

Scale 1 : 20

Materials/Cutting List

1. Ex. 19 x 70 x 1800
- a) 2 off 450 x 70 sides
- b) 2 off 250 x 70 ends
- c) 2 off 350 x 33 handle posts
2. 1 off Ex. 25 x 25 turned handle
3. 4 off 100 mm \varnothing plastic wheels (or custom turned)
4. 4 off coach screws to suit wheels
5. Washers to suit wheels/coach screws
6. 1 off thin plywood/MDF base

PUSH CART

By courtesy of Ted Stewart-Wynne