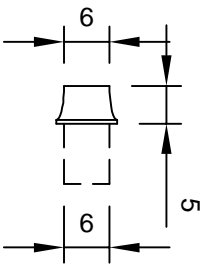
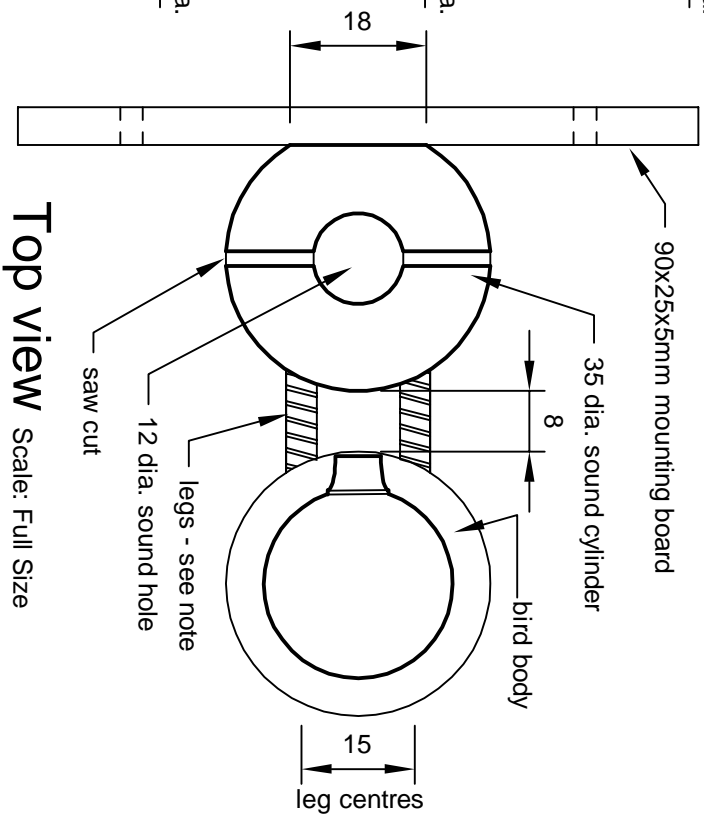


Side view Scale: Full Size



Beak detail Scale: Full Size



Top view Scale: Full Size

- NOTES:**
1. Legs are made from bicycle control cables. Remove plastic outer and inner casings and stretch coiled steel core to form a spring. Glue into holes in body and sound cylinder.
 2. Burn in wing, eye and tail decorations.
 3. Use very hard wood such as apple, jamb or York gum for the sound cylinder and beak.

As demonstrated by Allan Fettes

BIRD DOOR KNOCKER