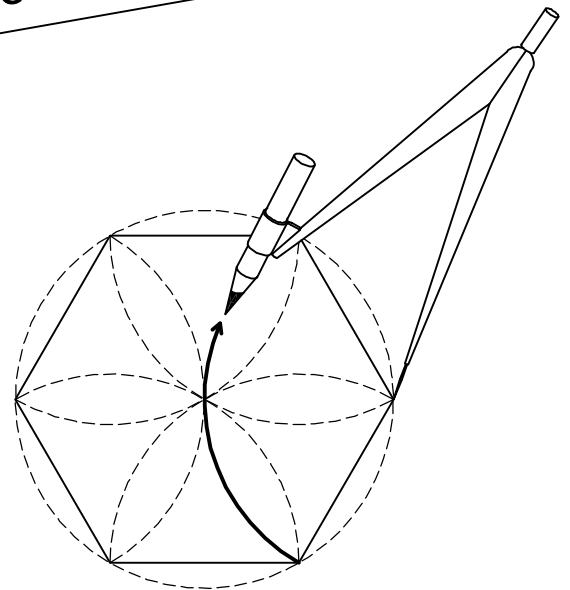
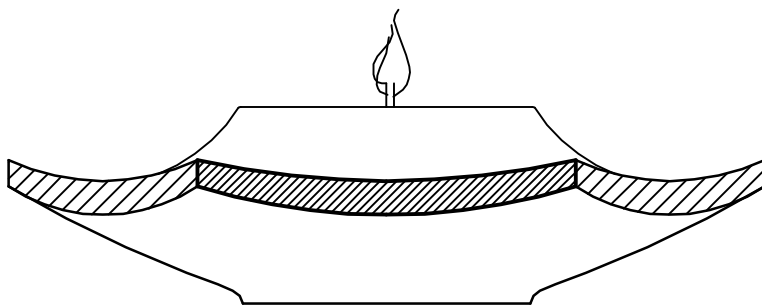


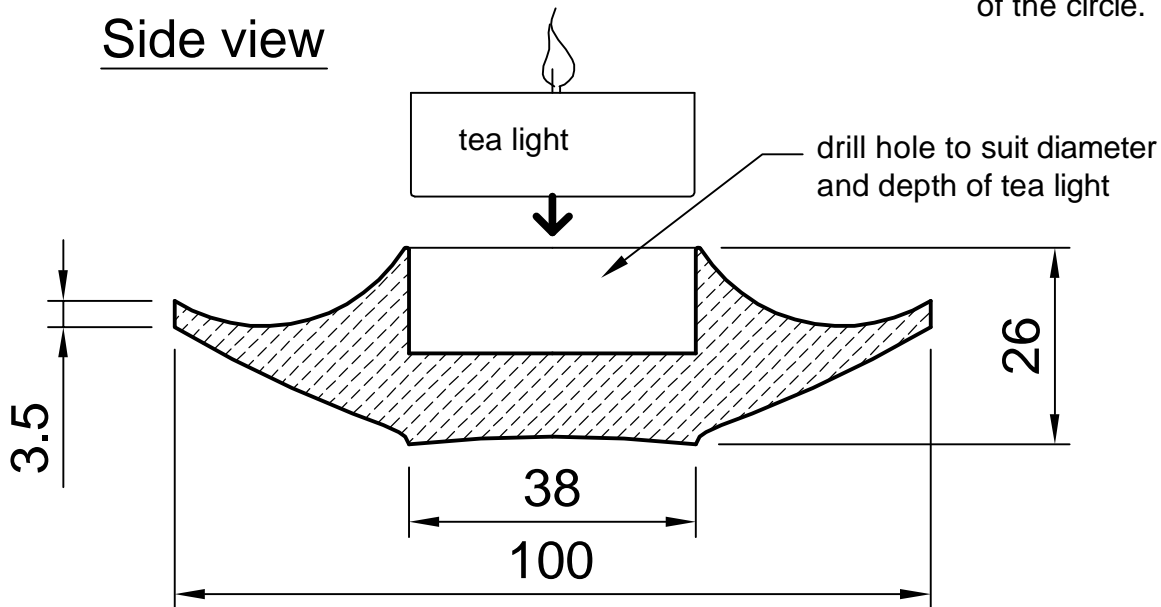
Top view



How to lay out a hexagon using a compass - set the compass to the radius of the circle enclosing the hexagon and scribe arcs progressively about the circumference of the circle.



Side view



Section

A TEA LIGHT HOLDER

(Courtesy Eric Walker)

Scale: Full Size