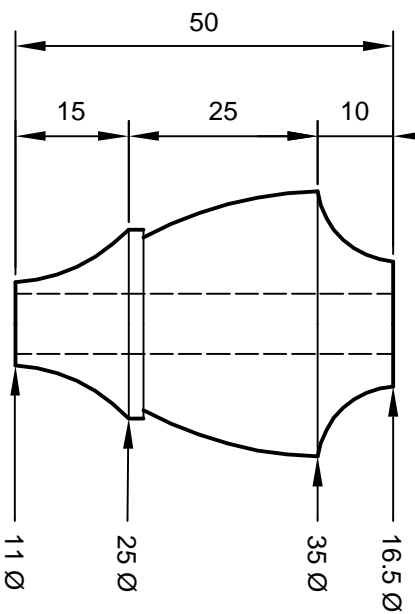




TABLE LAMP

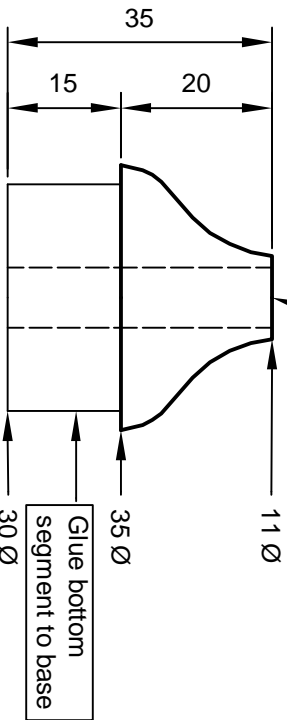
By Ted Stewart-Wynne (961)

Scale: Full Size

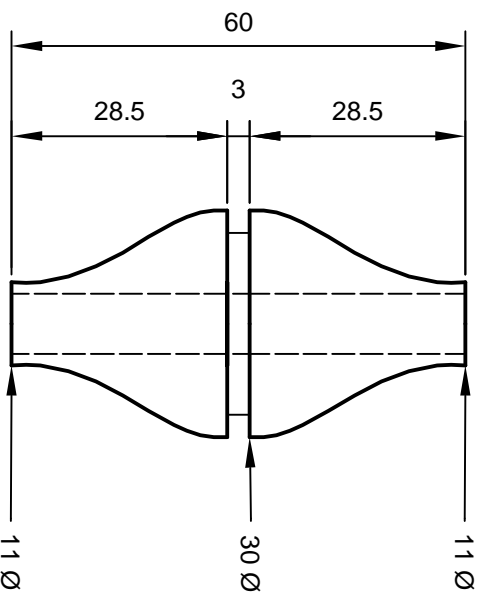


Top Segment

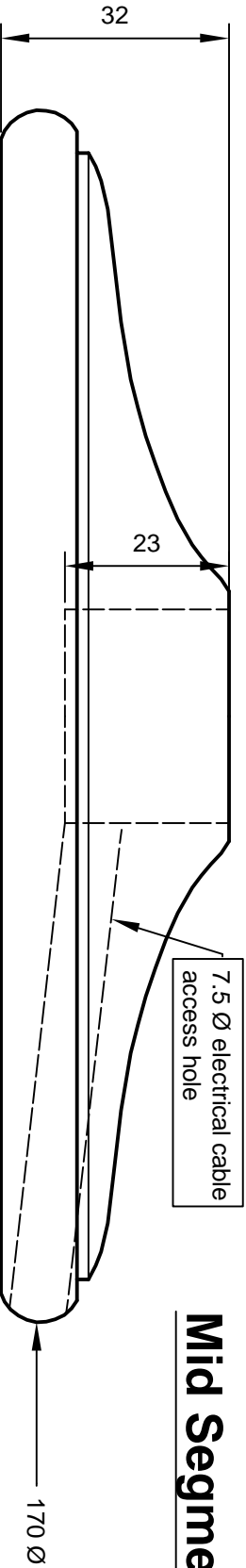
Centrally drill all segments to 7.5 mm \varnothing and glue to a full height $\frac{9}{32}$ " \varnothing brass tube.



Bottom Segment



Mid Segments (3 req.)



Base

The table lamp as displayed by Ted Stewart-Wynne in the 2011 Swan Woodturners exhibition at the Mundaring Arts Centre, Mundaring, Western Australia.