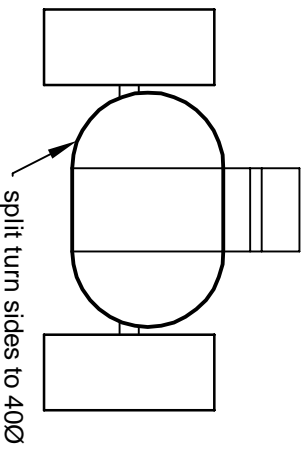


## Plan View

Scale:  $\frac{1}{2}$  Full size

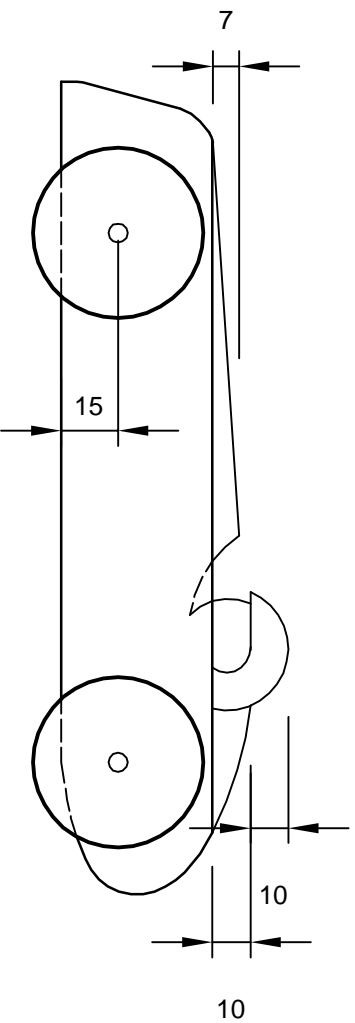


**Note:**  
 The car sides are turned as a 40mm diameter cylinder with a central paper joint. Drill axle holes before turning. Cut central section to profile on bandsaw and paint, or not, to choice.



## Front View

Scale:  $\frac{1}{2}$  Full size



## Side View

Scale:  $\frac{1}{2}$  Full size

# TOY RACING CAR