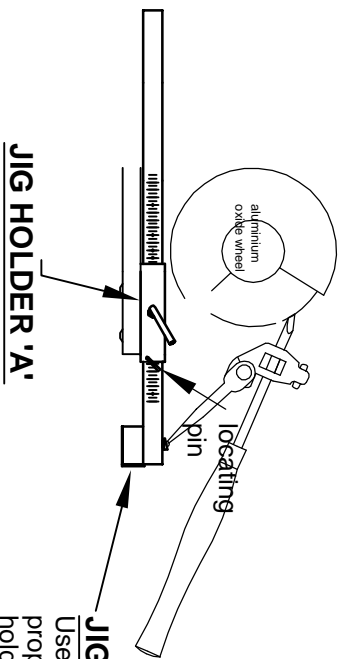
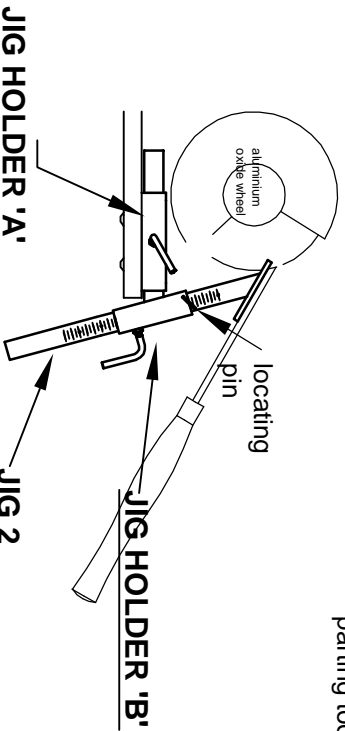


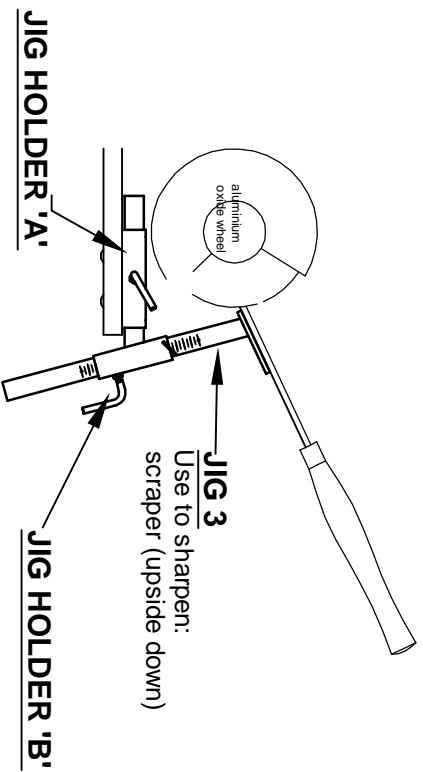
**JIG HOLDER 'A'**  
**JIG 1**  
 Use to sharpen: roughing gouge  
 spindle gouge  
 bowl gouge  
 parting tool



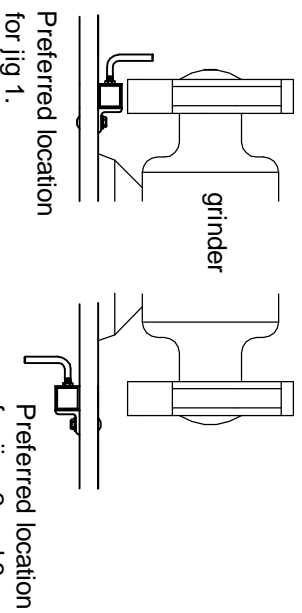
**JIG HOLDER 'A'**  
**JIG 1 (turned over)**  
 Use to sharpen: all tools - using  
 proprietary sharpening jig tool  
 holder



**JIG HOLDER 'A'**  
**JIG 2**  
 Use to sharpen: roughing gouge  
 spindle gouge  
 bowl gouge  
 parting tool  
 scraper



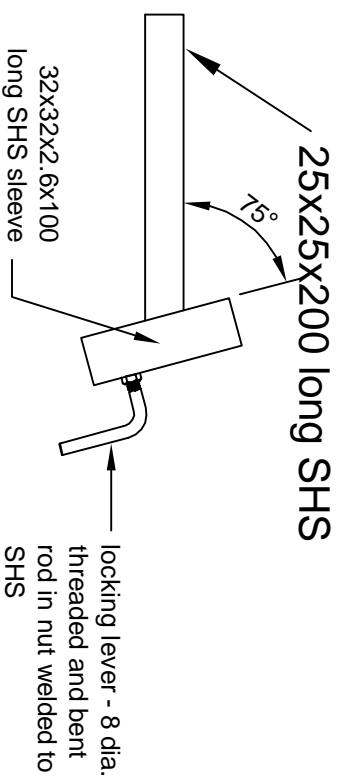
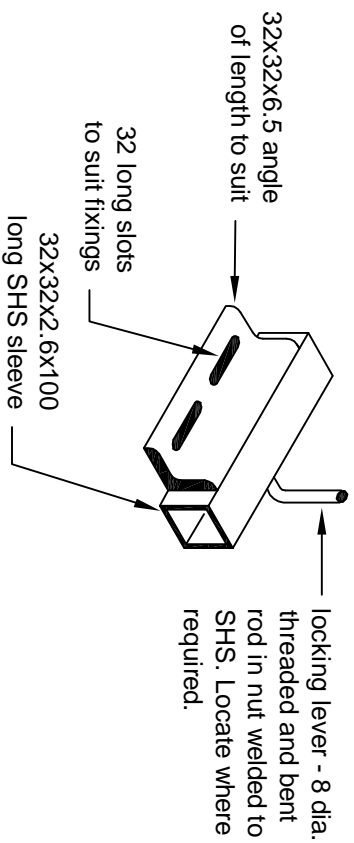
**JIG 3**  
 Use to sharpen:  
 scraper (upside down)



## TOOL GRINDING JIGS

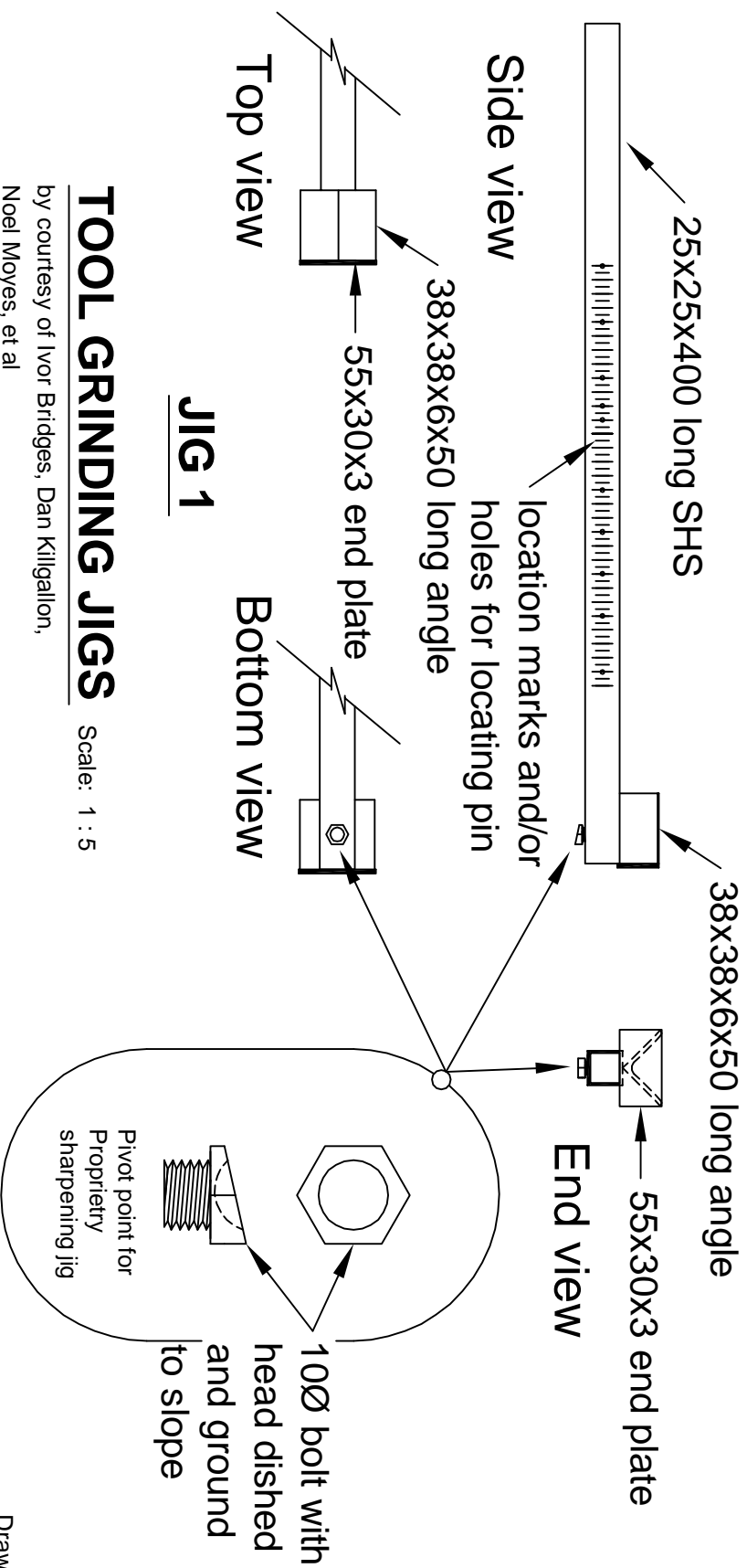
by courtesy of Ivor Bridges, Dan Killgallon,  
 Noel Moyes, et al

## Alternative jig holder 1 locations



## JIG HOLDER 'A'

## JIG HOLDER 'B'

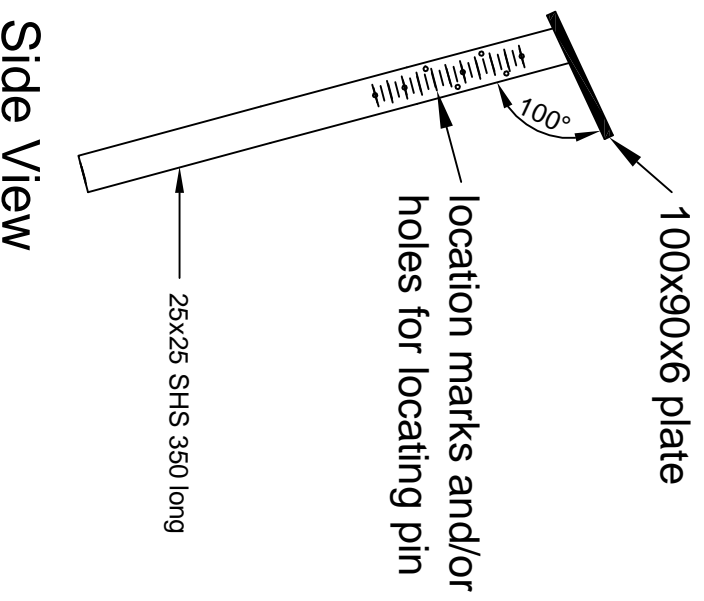
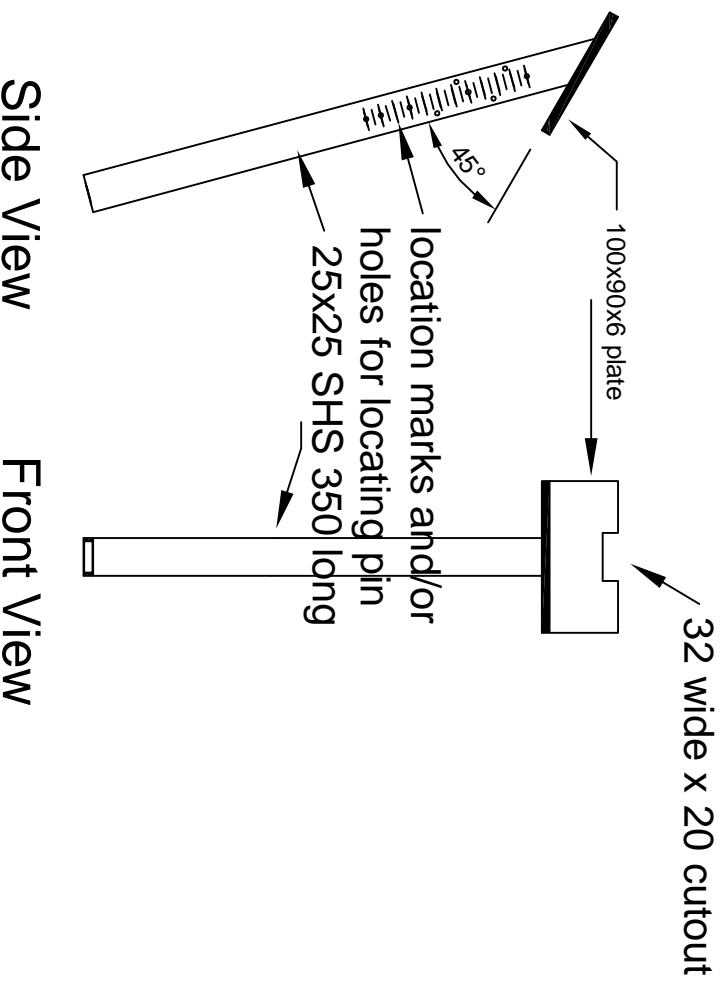


## JIG 1

## TOOL GRINDING JIGS

Scale: 1 : 5

by courtesy of Ivor Bridges, Dan Killgallon,  
Noel Moyes, et al



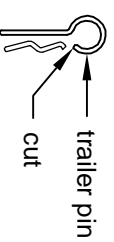
**JIG 2**

**JIG 3**

## **TOOL GRINDING JIGS**

Scale: 1 : 5

by courtesy of Ivor Bridges & Dan Killgallon,  
Noel Moyes, et al



## **LOCATING PIN**